

SERVICES

Converting Capabilities:

Fabrico can convert many materials into die cut parts, laminations and slit rolls. We are also able to crease and fold products for a wide variety of applications.

Engineering and Design:

The engineering staff at Fabrico sets us apart from other material converters. See how our in-house design team can assist you in the development of your products.

Prototyping:

Our full service design and engineering program offers our customers samples and prototypes of production parts for testing and evaluation. We can usually produce your prototypes within 48 hours.

Kitting:

Fabrico can provide many of our products in kit package form. See how our specialty packaging can improve your production processes

Assembly Services:

Offering value added assembly of Fabrico and non-Fabrico produced products into finished parts.

Laminations:

Fabrico specializes in laminating multiple materials together to produce finished products that meet the needs of the most demanding applications.



Quality Programs:

EIS Fabrico has adopted the ISO 9000 family of quality standards as a key strategic element of our focus on meeting and exceeding customer requirements. We are ISO 9001: 2000 registered at each of our manufacturing facilities.

MATERIALS USED

Nomex®

DuPont Nomex® aramid paper, thicknesses are available from 2 - 30 mil. We also fabricate Nomex® pressboard, felt and b-staged products.

Laminates

- Von Roll Isola, Arlon, IPT, Isovolta, Pucaro and Fibertek,
- 1-ply, 2-ply and 3-ply available
- Dacron®, Mylar® - DM, DMD
- Nomex®, Mylar® - NM, NMN, NMNE
- Nomex®, Kapton® - NK, NKN
- Rag, Mylar® - RM, RMR
- Friction-coated Mylar®
- Varnish, polyester varnish, epoxy varnish and b-staged glass cloth
- Cequin® and Tufquin®

Tapes

Electrical, electronic and industrial tapes, transfer and double coated adhesives from 3M, Permacel, MacTac, Tyco, Avery Dennison, Flexcon, PPI Intertape, Polymer Group and others.

Liners:

Easy or medium release liners, one side or two side release, silicone or acrylic adhesive.

PET Polyester Films:

Featuring DuPont Teijin Mylar®, DuPont Teijin Melinex®, DuPont Teijin Tetoron®, DuPont Teijin Cronar®, DuPont Teijin Teonex® PEN Based Film.

Films:

DuPont Cirlex®, DuPont Kapton®, DuPont Kevlar®, DuPont Teflon®, Reval®

Other Films:

- Polyurethane, polypropylene, polyethylene (LDPE and LLDPE), polycarbonate
- Nylon, GE Ultem®, GE Valox®, Tempalux®, GE Lexan®, Formex®, Delrin®, PEEK and DuPont Zytel® Mobil Bicolor®

Fishpaper:

Cottrell and Oliner Fiber brand fishpaper in thicknesses from 5 - 30 mil.

Kraft paper:

Copaco creped, electrical grade, thermally upgraded electrical, capacitor grade, epoxy coated (diamond coated) kraft, rag and pressboard (some are flame retardant).

Foams:

Fabrico provides polyester, polyethylene and reticulated polyurethane foams. Fabrico also converts ester, ether, PVC, crosslinked, polyolefin, conductive and ESD foams.

Rubber:

Sheet rubber, cellular sponge, cork, neoprene, isoprene, EPDM, Buna, SBR, silicone and Viton.

Tubing:

- 3M and Raychem flexible or semi-rigid tubing in single or dual wall.
- Bentley Harris sleeving.
- Suflex and Sofanou silicone rubber, polyolefin, electrical, fiberglass, spiral wound, vinyl glass sleeving.

Gaskets:

Laird and Chomerics conductive elastomers, conductive foil tape, conductive heat shrinkable shielding, metal gaskets with or without adhesive, vultoid, lexide, gap filler.

Coated Fabric:

Saint Gobain, Furon, Flourglas, CHR and Thermagon varnish coated fabric, foam, PTFE glass coated, virgin or skived PTFE film, Teflon® and silicone coated. Von Roll Isola and Isovolta varnished glass cloth, with and without adhe

Fabrico East
Atlanta, GA

Fabrico Central
Mequon, WI

Fabrico West
Ontario, CA

Fabrico Mexico
Monterrey, Mexico

www.fabrico.com



FABRICO

Engineered Solutions for:

CONVERTING FABRICATION PROBLEM SOLVING



INDUSTRIES SERVED

Assembly

Offering the latest solutions to your bonding, joining, masking, thermal management and attachment challenges.

Medical Devices

Fabrico is an FDA approved / UL recognized fabricator providing solutions to the medical market's demand for durable and disposable components.

Automotive

Fabrico can offer many products and services to meet the needs of the automotive manufacturer. From noise dampening to adhesive attachment die cut parts, Fabrico is your automotive solution provider.

General Industry

Fabrico's wide array of materials and converting expertise allows us the flexibility to meet any of the requirements of the general industrial manufacturer for converted materials.

Electrical

Fabrico is one of the largest converters of electrical insulation papers and films in the United States. We offer full product lines of market leaders like DuPont, 3M, GE and Von Roll and many others.

Aerospace/Defense

Fabrico supports the aerospace/defense market with substrates designed to perform in demanding environments like excessive heat, cold, moisture, UV exposure and solvent resistance.

More Industries

Served by Fabrico: Fabrico is a core supplier of products to such diverse industries as health and beauty, marine, RV and modular home builders, HVAC, appliance, and point-of-purchase display manufacturers. We offer products for electrical insulation, masking, vibration dampening, adhesive attachment and assembly aids. The combination of our outstanding engineering and development skills with our broad base of converting capabilities and material resources makes Fabrico the first choice for any project.

APPLICATIONS

Attachment/Assembly/ Bonding/ Fastening

Fabrico custom die cut film and foam adhesive parts can replace mechanical fasteners (nuts/bolts/screws/rivets) as well as liquid adhesive products in the toughest bonding applications. These parts can be packaged on liners in roll form or as individually stacked, bundled parts. Final product assembly labor can be reduced along with an increase in product reliability.



EMI / RFI Shielding

Fabrico converts a wide range of EMI/RFI conductive material from manufacturers such as Laird, 3M and Chomerics, the world leaders in EMI materials. Fabrico also maintains inventory of thin gauge aluminum and copper, available with or without adhesive. These materials can be die cut into shapes or laminated to other products to meet the needs of the most demanding EMI radiation issues.

Electrical Insulation

Fabrico offers slit, chopped, die cut, discrete and multi-layer custom insulation parts produced from electrical grade papers, films, coated cloths, laminates and tapes specifically for electrical insulation.

Applications include:

- all types of rotating motor apparatus
- transformers
- generators
- switchgear
- wire wrap
- power supplies
- appliances
- power tools
- coils

Fabrico converts electrical insulation for virtually any product that uses electricity.

Foam Parts

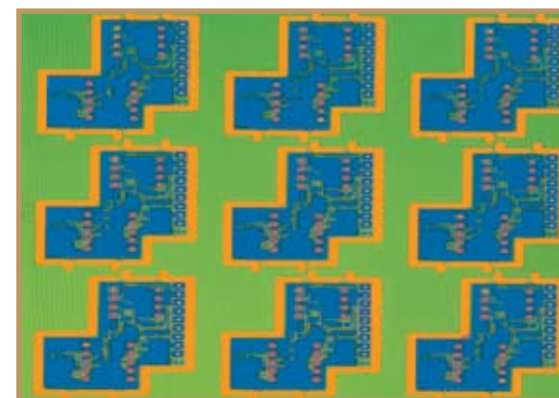
Fabrico's foam fabrication services convert foam plastic, closed cell, polyurethane, polyethylene, neoprene and silicone foam. Fabrico also has the ability to laminate a wide variety of specialty adhesives to the foam with our in-line lamination equipment. These converted foam products are used in the healthcare, appliance, automotive, construction, electronic, marine and transportation industries. Applications include acoustical, cushioning, packaging, display, gaskets, sealing, etc.

Gasketing

Fabrico creates gaskets produced from cork, rubber and foam materials for automotive, industrial machinery, aerospace, marine, recreation, electric motors and military gasket needs. We can provide gaskets with or without adhesives as required by the individual application. We also work in conjunction with Laird and Chomerics on specialized gaskets for difficult EMI shielding applications.

Generators

Fabrico provides slit, chopped, cuffed, scored, edge taped, adhesive-backed and sheeted slot liner insulation for the generator manufacturer. We fabricate exciter core insulation as well as double-sided adhesive-backed revolving field insulation, which offer our customers excellent labor savings. Our custom shaped, formed wedges, separators and precision width slit tape offer tremendous productivity as well. Fabrico provides die cutting to shape phase ladders or windows, featuring our patented Fablad® design to the generator industry. We can offer all of these products assembled in custom component kits.



Masking - Circuit Board

Fabrico slits a wide variety of masking tapes and materials for use in printed circuit board assembly. We have the capabilities to die cut these tapes to specific shapes to fit any footprint. Adhesive-backed masking kits are available, which put all masking needs for an application on a single peelable liner. This no scrap, low labor alternative lowers overall masking cost.

Surface Protection

To meet the demands of difficult surface protection applications, Fabrico manufactures custom converted films that are die cut into a variety of shapes and sizes. These products are available with or without PSA borders, used for surface protection applications both indoors and outdoors. These die cut materials can be used on painted or primed surfaces, metals, plastics, composite materials and glass. We sell the products to the aerospace, automotive, electronic and assembly markets for a wide range of surface protection applications.



Thermal Management

Fabrico converts a wide variety of thermally conductive materials for the dissipation of heat in temperature sensitive devices. Thermally conductive materials help transfer heat away from electronic components into heat sinks or the ambient environment. Fabrico stocks a wide range of thermally conductive materials from 3M, Chomerics, Laird and Von Roll Isola. These products can be electrically conductive or electrically isolating. Fabrico also features the PowerSite® line from Fraivillig Technologies. PowerSite® eliminates the need for mechanical fasteners while offering superior thermal conductivity. All of our thermal management products are available in custom die cut shapes and sizes.

Vibration Dampening

Fabrico die cuts and fabricates a versatile line of cushioning products that serve as vibration dampeners, non-skid feet, spacers and cushions. We offer products from 3M, Avery Dennison, MacTac, Permacel, DuPont and other high quality suppliers that help protect surfaces from marring, staining and abrasion. These products are perfect for use on laptop computers, calculators, electronic equipment, automotive applications, appliances and housewares.

Wire and Cable Insulation Wrap

Fabrico manufactures a traverse wound spool (cop) package featuring one or two layers of insulation that is traverse wound on a common core. Our custom spool (cop) package features Fabrico's Slip-Core® two-part core design that separates for easy removal of the core from the conductor, greatly reducing the risk of injury common with paper cop cores. Fabrico's Fab-Wrap® design accommodates up to four individual slit pads on a common core. We produce cable and wire wrap out of the following stock materials:

- Paper - DuPont Nomex® 410, DuPont creped Nomex®, kraft paper, diamond dot kraft paper and creped kraft.
- Films - DuPont Kapton® polyimide, DuPont Mylar® polyester and Toray Lumirror polyester.