



LEDs:
SEE YOUR WORK IN
A WHOLE NEW LIGHT



W

Waldmann Lighting

Powerful, maintenance-free illumination for hostile industrial environments

As Bright As A Halogen; Over 10 Times The Life!

Long-lived industrial LEDs are today's solution for precisely illuminating your industrial applications with ease. Completely sealed with a corrosion-resistant coating, Waldmann LEDs are designed to out-perform all others in even the most extreme machining conditions. Minimal in size, yet maximum in output, LEDs offer up to 50,000 hours of maintenance-free life and produce virtually no heat.

Choose from several LED models to fit your specific application requirements including the 2.72" x 1.14" head only (ABLL-1) version, a sturdy 29.72" x 1.14" gooseneck (ABLTL-1) style, and the ABLTL-1 gooseneck featuring a handy detachable magnetic head for inspection of hard-to-reach areas.

Plus, our robust "All-In-One" gooseneck version is pre-wired and ready for speedy installation! The luminaire features an attached universal mounting base, operating device in waterproof IP67 housing, and cordset. A low voltage version is available.

Whichever model you choose, each is backed by our 10-year warranty and provides IP67 waterproof protection...in even the most extreme conditions!

Features:

- Aluminum housing with a corrosion-resistant coating is ideal for use in areas where petroleum-based fluids and synthetic coolants are used
- Maintenance-free
- Up to 50,000 hour life (20 years at 40 hours per week) eliminates frequent lamp change
- Easy assembly
- Cool-to-the-touch
- Protective ESD diode on LED circuit board eliminates static charging and polarity reversal
- Choice of three operating devices are offered from 24V low voltage AC/DC to 95-240V AC range
- Eliminates "stroboscopic effect" by running on direct current
- Rotational head pivots 40° on "head-only" models
- Choice of a 6° spot or 25° flood beam for a variety of applications
- IP67 waterproof protected and 10-year warranted

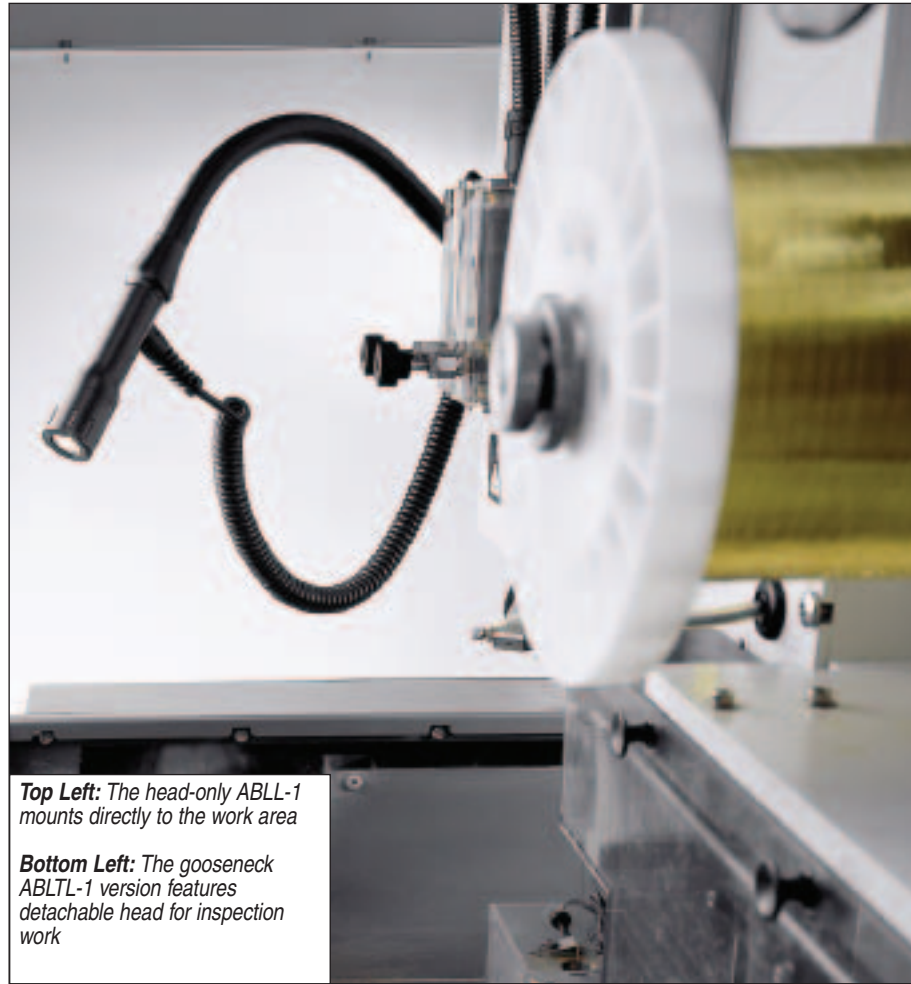
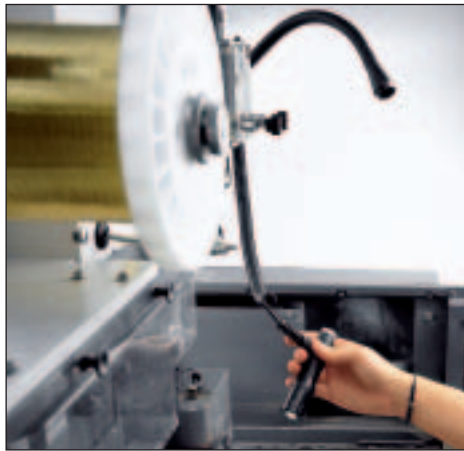


Right: Ball joint for varied configuration

Far Right: Pivots 40° with ease



LED Machine Luminaire:

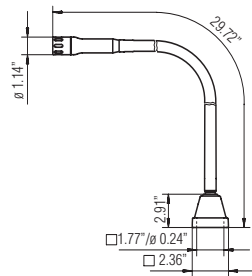


Top Left: The head-only ABL-1 mounts directly to the work area

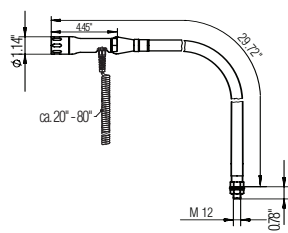
Bottom Left: The gooseneck ABLTL-1 version features detachable head for inspection work

Technical Drawings:

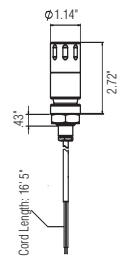
Gooseneck Arm



Gooseneck Arm with Detachable Head



Head Only Version



All-In-One:

For quick and convenient installation, choose our pre-wired "All-In-One" flexible gooseneck version for precisely illuminating even the smallest processing areas.

Features:

- 29.72" rugged gooseneck with your choice of either a 6° spot or 25° flood beam
- Universal base provides both horizontal or vertical mounting
- Includes an in-line 95-240V, 50/60Hz operating device enclosed in a protective IP67 housing and cordset for convenient plug-in to a 120V power supply
- Low voltage versions (not pre-wired) are offered which include a non-waterproof 19.2-28.8V, 0.7A or 1.0A operating device (see ordering information)

Additional Mounting Options:

(for gooseneck version only):



Steel Clamp
0-2.75": #190-007-019



Magnetic Base
#190-057-019

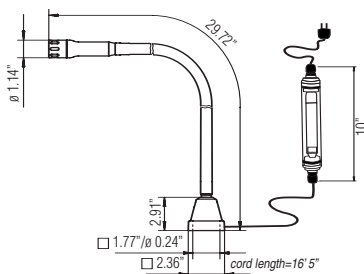


Wall Bracket
#300-213-018



Stainless Steel Mounting Bracket
(for mounting of IP67 operating device;
2 required) #190-174-019

Gooseneck All-In-One
(Operating Device in IP67 Housing)



Use LEDs where petroleum-based fluids and synthetic coolants are used

LEDs provide pinpoint positioning and are ideal for microscope applications

Order Information:

All-In One Versions (Pre-wired, ready for operation)

All units include:

- Universal mounting base
- VLM operating device (95-240V, 50/60Hz) in IP67 housing
- Cordset for plug-in to 120V power source

Model	Description	Part No.
ABLTL-1	Gooseneck, 6° spot, 16' 5" cord length to operating device	112-385-M10
ABLTL-1	Gooseneck, 25° flood, 16' 5" cord length to operating device	112-385-M11
ABLTL-1	Gooseneck w/ detachable magnetic head, 6° spot, 20" to 80" expandable cord length to operating device	112-373-M10
ABLTL-1	Gooseneck w/ detachable magnetic head, 25° flood, 20" to 80" expandable cord length to operating device	112-373-M11

Low Voltage Versions (Not pre-wired, cord included)

All units include:

- Universal mounting base
- Type A Operating Device (19.2-28.8V, 0.7A) (Non-waterproof)

Model	Description	Part No.
ABLTL-1	Gooseneck, 6° spot, 16' 5" cord length to operating device	112-385-M20
ABLTL-1	Gooseneck, 25° flood, 16' 5" cord length to operating device	112-385-M21
ABLTL-1	Gooseneck w/ detachable magnetic head, 6° spot, 20" to 80" expandable cord length to operating device	112-373-M20
ABLTL-1	Gooseneck w/ detachable magnetic head, 25° flood, 20" to 80" expandable cord length to operating device	112-373-M21

Individual LED Versions (Requires Waldmann operating device sold separately)

All units include: Threaded base

Model	Description	Part No.
ABLL-1	Head Only, 6° spot, 16' 5" cord	112-353-000
ABLL-1	Head Only, 25° flood, 16' 5" cord	112-353-001
ABLTL-1	Gooseneck, 6° spot, 16' 5" cord	112-385-000
ABLTL-1	Gooseneck, 25° flood, 16' 5" cord	112-385-001
ABLTL-1	Gooseneck w/ detachable magnetic head, 6° spot, 20" to 80" expandable cord length	112-373-000
ABLTL-1	Gooseneck w/ detachable magnetic head, 25° flood, 20" to 80" expandable cord length	112-373-010

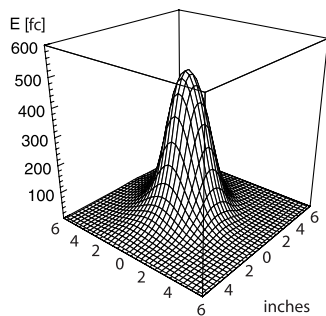
Operating Devices:

Model	Description	Part No.
VLM	Operating Device, 10.0W maximum, input voltage: 95-240V, 50/60Hz	209-585-019
Type A	Operating Device, 10.8W maximum, input voltage: 19.2-28.8V, 0.7A	209-582-019
Type B	Operating Device, 10.8W maximum, input voltage: 19.2-28.8V, 1.0A	209-582-029

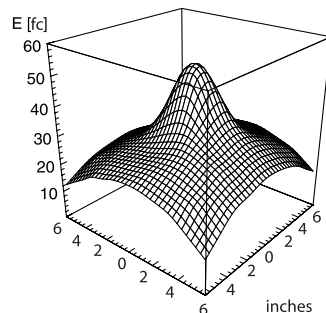
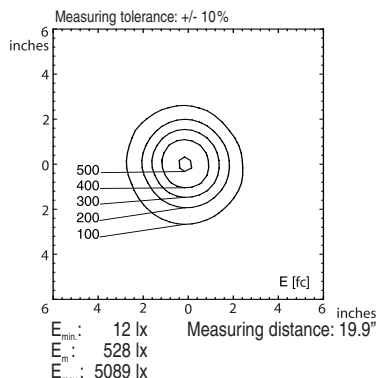


Technical Data:

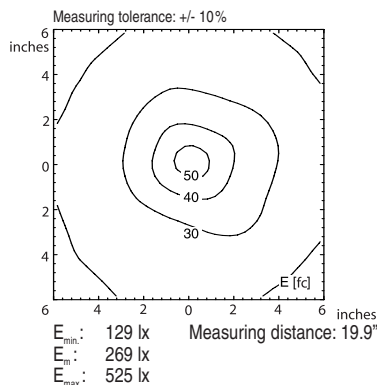
LIGHT DISTRIBUTIONS



Light type LED Luxeon III
Operating Voltage 700 mA



Light type LED Luxeon III
Operating Voltage 700 mA



PART NUMBERS (FOR INDIVIDUAL LED VERSIONS)

6° Spot 112 353 000
Operating device VLM 209 585 019
Type A 209 582 019



25° Flood 112 353 001
Operating device VLM 209 585 019
Type A 209 582 019



ABLL-1 and ABLTL-1 Overview

Head-Only measurements:

Overall: approx. Ø 1.14" x 2.72"
Without fastening unit: approx. Ø 1.14" x 2.79"
Connection cable: approx. 16' 5"

Gooseneck measurements:

Overall: approx. Ø 1.14" x 29.72"

Electrical information:

Operation using Waldmann operating device type A or VLM operating device
Operating voltage: 3.7V
Operating current: 700 mA
Power: approx. 2.6W
Luminous flux: 60 lm
Service life: approx. 50,000 h
Operation using Waldmann operating device type B
Operating voltage: 3.9V
Operating current: 1000 mA
Power: approx. 4W
Luminous flux: 85 lm
Service life: approx. 20,000 h

Additional variants:

If required, this product range will be expanded by additional variants. Therefore, differing technical data is possible. Please call **800-634-0007** for information.

Operating Device for Mains Supply 100-240V AC

VLM operating device:

Input voltage: 95 – 240V
Frequency range: 50/60Hz
Operating current: 700 mA

Measurements:

Overall: approx. Ø 1.14" x 2.72"
Without fastening unit: approx. Ø 1.14" x 2.72"
Connection cable: approx. 16' 5"

Assembly:

Adapter plate with clip for rail

Wiring length
Operating device – light module max. 32.8'
Max. 3 light modules connectable (in series)

Operating Device for 24V AC/DC

Operating device Type A:

Input voltage: 19.2 – 28.8V
Frequency range: 50/60Hz/DC
Operating current: 700 mA

Assembly:

Housing for mounting on rail

Wiring length
Operating device – light module max. 32.8'

Max. 3 light modules connectable (in series)

Operating device Type B:

Input voltage: 19.2 – 28.8V
Frequency range: 50/60Hz/DC
Operating current: 1000 mA

Assembly:

Housing for mounting on rail

Wiring length
Operating device – light module max. 32.8'

Max. 3 light modules connectable (in series)

More lumens with shorter lamp life
20,000 hr. lamp life

Installation Notes:

1. Proper installation, wiring, switching, and power requirements must be followed per the Waldmann instruction booklet included with each LED.
2. Any external switching added by customer must be wired to the primary circuit as outlined in the instruction booklet.
3. Independent external switching of multiple LEDs requires multiple operating devices.

For additional technical information, please contact our Customer Service department at: 800-634-0007.



Waldmann Lighting

9 West Century Drive, Wheeling, IL 60090

800.634.0007

847.520.1060 Fax: 847.520.1730

www.waldmannlighting.com

E-mail: waldmann@waldmannlighting.com

©2006 Waldmann Lighting Co. 117-0406-5